

THIS DRAWING IS UNPUBLISHED. RELEASED FOR PUBLICATION 20  
 © COPYRIGHT 20 BY - ALL RIGHTS RESERVED.

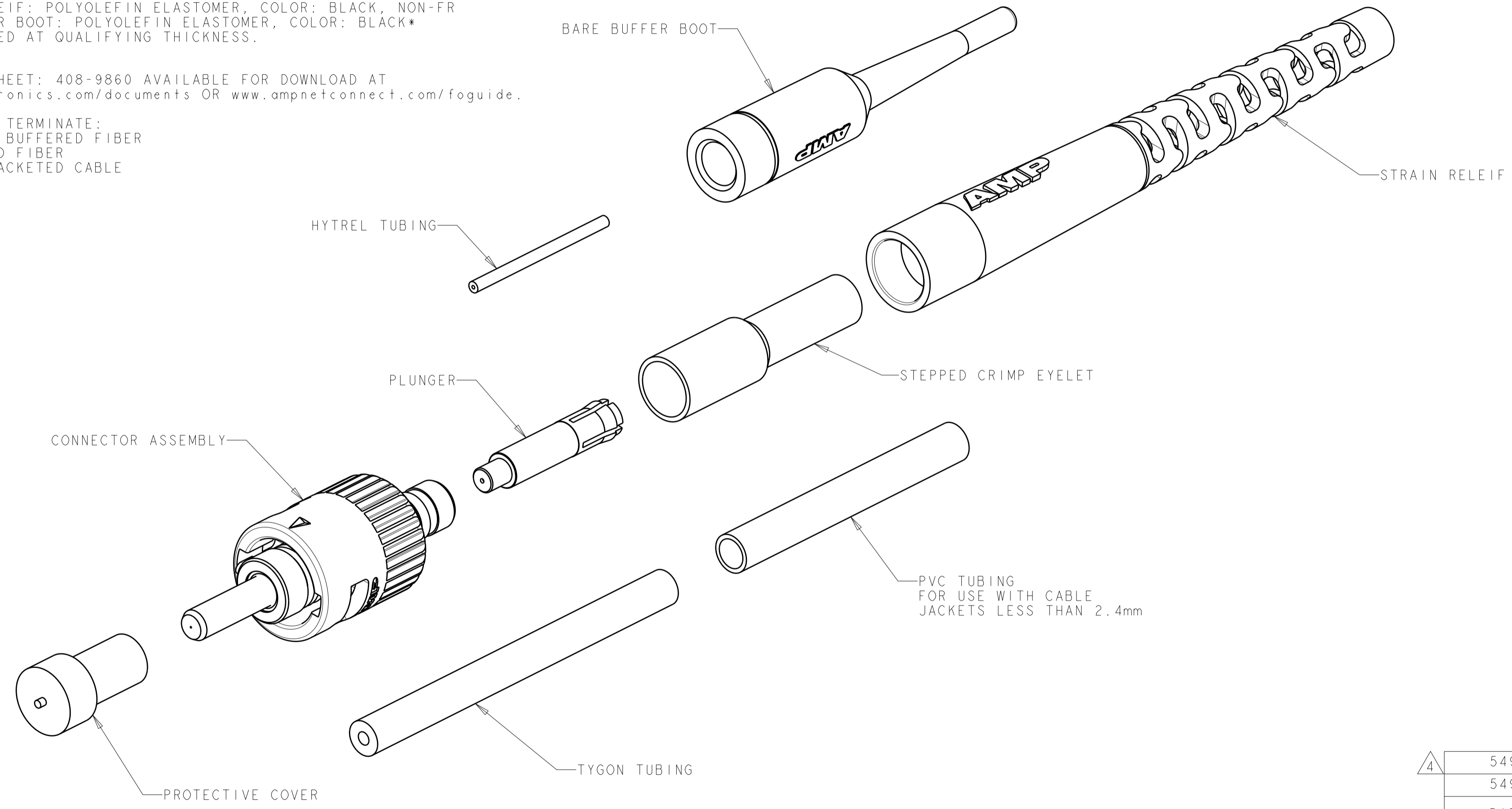
LOC	DIST	REVISIONS			
P	LTR	DESCRIPTION	DATE	DWN	APVD
CE	00	A2	REVISED PER ECO-11-005140	23MAR2011	RK HMR

1 MATERIAL:  
 CONNECTOR ASSEMBLY:  
 REAR BODY: GLASS FILLED POLYESTER, PBT  
 PLUNGER: ALUMINUM ALLOY  
 FERRULE: MINERAL FILLED PAS\*  
 COUPLING NUT: NICKEL PLATED ZINC  
 INTERNAL COMPONENTS: RUBBER, COLOR: BLACK  
 SPRING: STAINLESS STEEL  
 PROTECTIVE COVER: LDPE, COVER: BLACK, NON-FR  
 STEPPED CRIMP EYELET: NICKEL PLATED COPPER  
 POLYMER TUBING: TYGON, COLOR: CLEAR  
 HYTREL, COLOR: WHITE  
 PVC, COLOR: BLACK  
 STRAIN RELIEF: POLYOLEFIN ELASTOMER, COLOR: BLACK, NON-FR  
 BARE BUFFER BOOT: POLYOLEFIN ELASTOMER, COLOR: BLACK\*  
 \*UL94 V-0 RATED AT QUALIFYING THICKNESS.

2. INSTRUCTION SHEET: 408-9860 AVAILABLE FOR DOWNLOAD AT  
[www.tycoelectronics.com/documents](http://www.tycoelectronics.com/documents) OR [www.ampnetconnect.com/foguide](http://www.ampnetconnect.com/foguide).

3. THIS KIT WILL TERMINATE:  
 900um TIGHT BUFFERED FIBER  
 250um COATED FIBER  
 2.0-3.0mm JACKETED CABLE

4 BULK PACKAGE.



4	5492168-2
	5492168-1
	PART NO

THIS DRAWING IS A CONTROLLED DOCUMENT.		DWN B. BRIGGS 02DEC2005	<b>STE</b> TE Connectivity	
DIMENSIONS: mm		CHK L. SAUERWEIN 02DEC2005		
TOLERANCES UNLESS OTHERWISE SPECIFIED: 0 PLC ±- 1 PLC ±0.1 2 PLC ±0.02 3 PLC ±0.005 4 PLC ±0.0005 ANGLES ±- FINISH		APVD S. BUCHTER 02DEC2005	NAME CONNECTOR KIT, LightCrimp NextC, 125um	
MATERIAL		PRODUCT SPEC -	SIZE A2	CAGE CODE 0779
1		APPLICATION SPEC -	DRAWING NO 5492168	RESTRICTED TO -
CUSTOMER DRAWING		WEIGHT -	SCALE 4:1	SHEET 1
			REV A2	